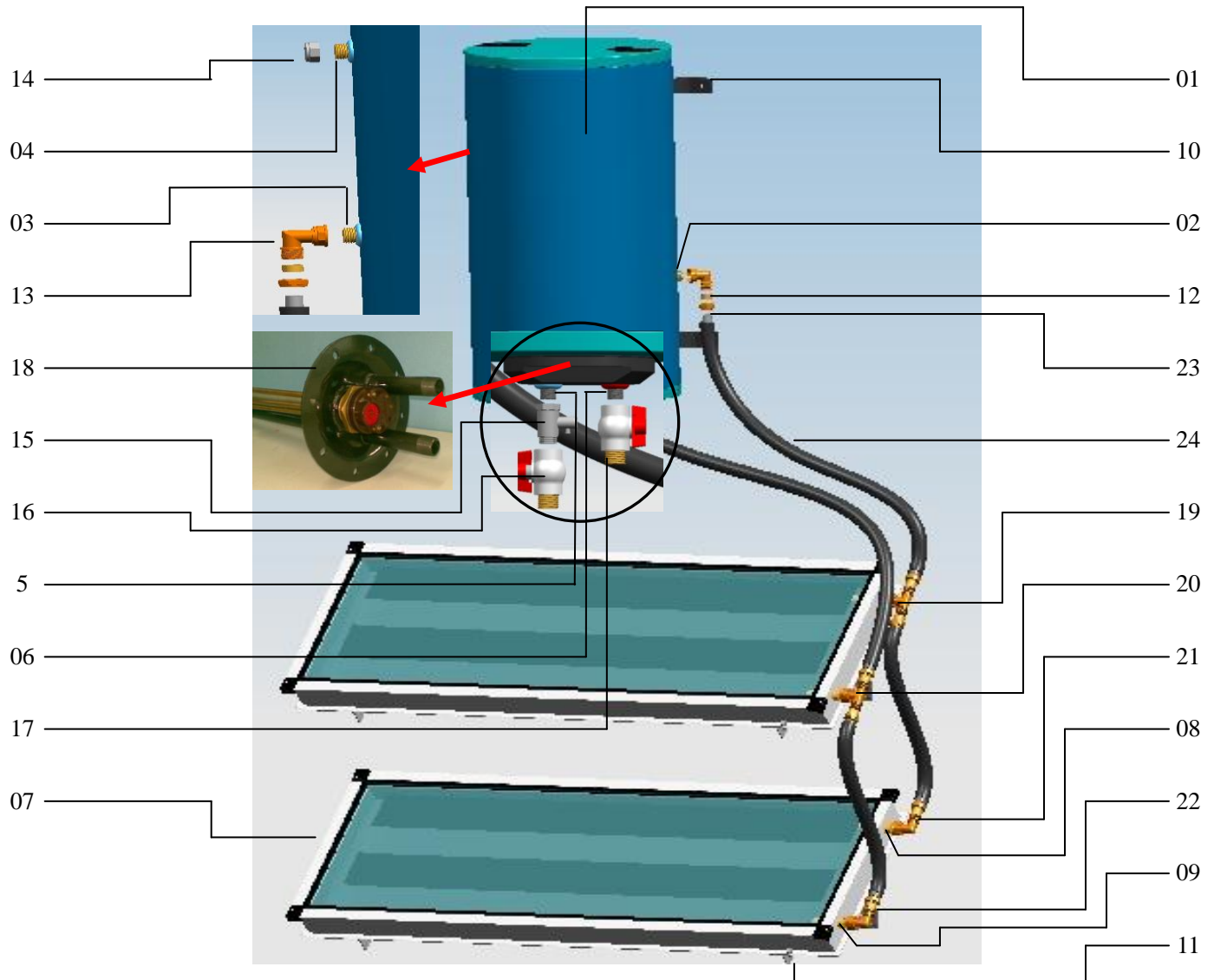


T←→ATLAS

Installation Instruction of Vertical Wall Mounted model

Before installation, please make sure that the place where you want to set should be with rich sunshine and stable, no cover such as trees and buildings, and so on.

1. Explanation and drawing for parts

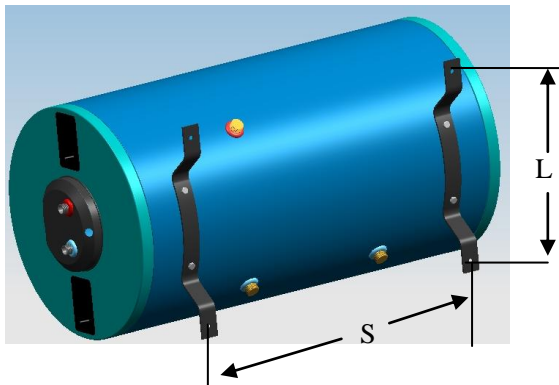


- 01 Boiler
- 02 Anti-freezer inlet pipe from collector to boiler (3/4")
- 03 Anti-freezer outlet pipe from boiler to collector (3/4")
- 04 Anti-freezer inlet (1/2")
- 05 Inlet pipe from water supply to boiler (1/2")
- 06 Hot water outlet pipe (3/4")
- 07 Collector (quantity depends on the volume of boiler)

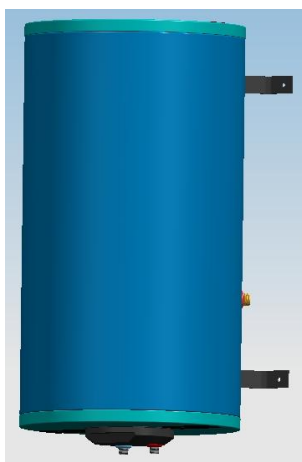
- 08 Anti-freezer outlet pipe from collector to boiler (3/4")
- 09 Anti-freezer inlet pipe from boiler to collector (3/4")
- 10 Boiler support
- 11 Collector support
- 12 Connecting elbow for anti-freezer outlet pipe from collector to boiler (3/4")
- 13 Connecting elbow for anti-freezer inlet pipe from boiler to collector (3/4")
- 14 1/2" End cap
- 15 Single direction valve
- 16 Connecting valve for water supply and single direction valve (1/2", provided by client)
- 17 Connecting valve for hot water outlet pipe (3/4", be provided by the client)
- 18 Thermostat Components
- 19 T-cock for anti-freezer outlet pipe from two collectors to boiler (3/4") – (only double collector need it)
- 20 T-cock for anti-freezer inlet pipe from boiler to two collectors (3/4") – (only double collector need it)
- 21 Connecting elbow for anti-freezer inlet pipe from boiler to collector (3/4")
- 22 Connecting elbow for anti-freezer outlet pipe from collector to boiler (3/4")
- 23 PEX black pipe
- 24 Thermal insulation pipe

2. Installation for boiler and its support

1. Set Boiler Support on the side of Boiler and fix tightly.



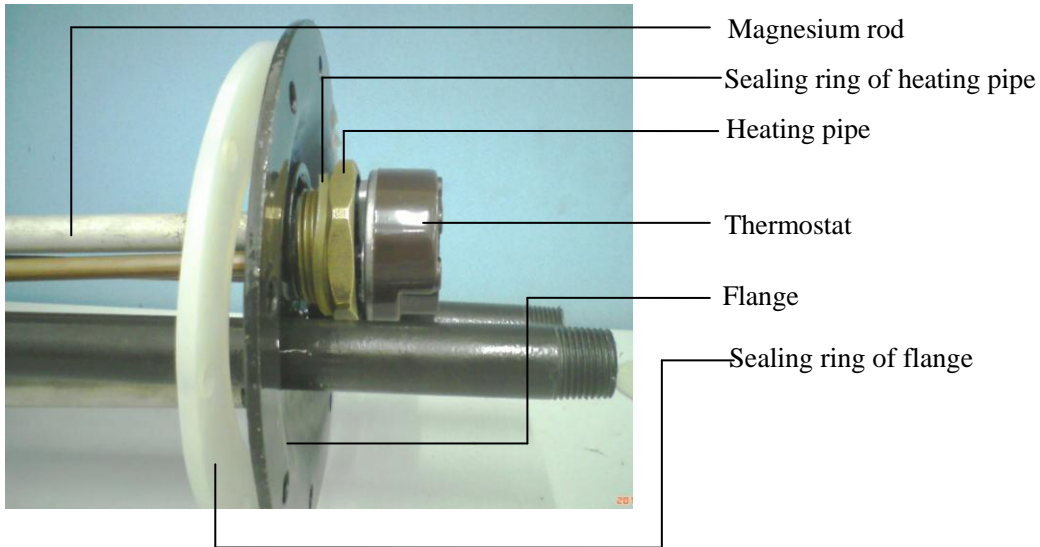
2. To measure the distance S and L between center of screw hole of support as the above picture, and mark on the wall accordingly. L is the horizontal distance, S is the vertical distance. Make holes at the positions of marks and set M8 setscrews.
3. Match the holes on Boiler Support with the setscrews on the wall, and then use M8 nut to fix the Boiler to the wall.



4. Install all parts mentioned in the Explanation for Parts above.

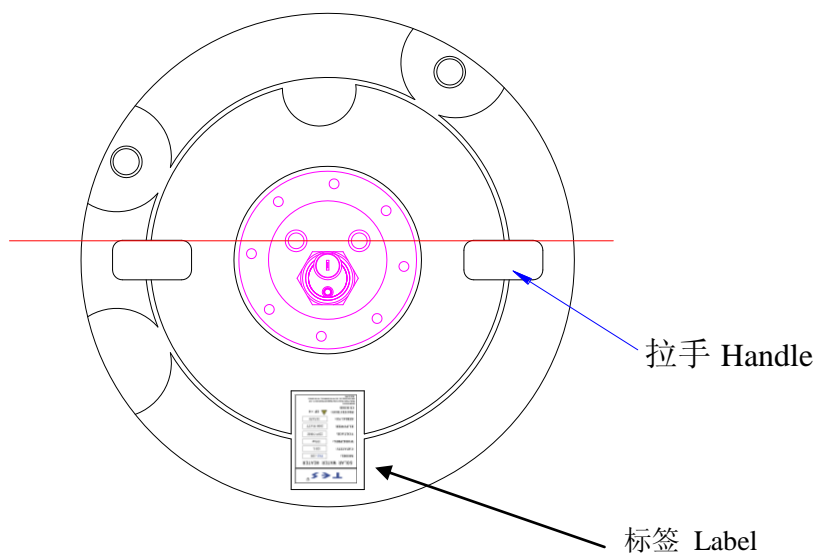
5. Installation for thermostat components

A. Explanation for parts

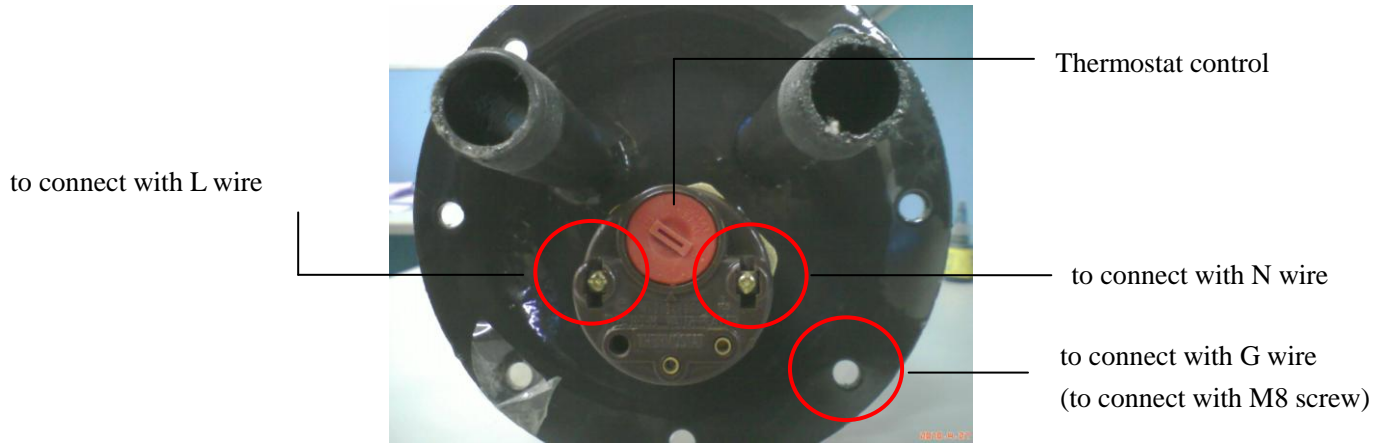


B. Installation for thermostat components

Firstly set sealing ring of Thermostat Components, secondly align the inlet and outlet pipe with two handles, so that the 8 holes on the Thermostat Components will be matched with holes on the Inside Boiler, use M8 screw to fix well.



C. Explanation for connecting wires



- Turn off main power supply.
- Thermostat Components should be set on the right side of Boiler, loose two screws on the cap of Thermostat Components, connect N wire and L wire as picture, and then tighten screws.
- When the products leave factory, Thermostat will be set at 60° C, clients could set according to their needs. It would be better below 75° C.
- Check whether Safety Switch work or not, and press button for operating mode.
- Make 220V wire get through the wire hole of Big Black Disk, and then use screw to fix Big Black Disk to Boiler.
- Two holes on Big Black Disk should be matched with Inlet pipe and Outlet pipe, and use setscrew to fix.

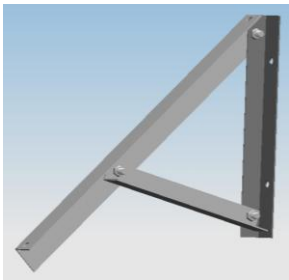
Note:

- Boiler should be set higher than Collector.
- G wire should be connected to the ground of the building.
- Power supply wire should be connected to the Leakage Switch. The distance between 2 wires should be more than 3mm. Leakage Switch should be checked once a month.
- If no water in Boiler, cannot switch on Thermostat Components.

3. Installation for collector and its support

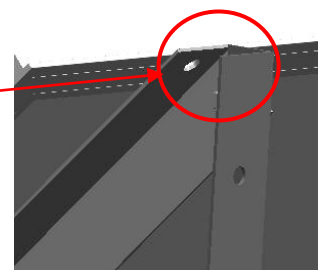
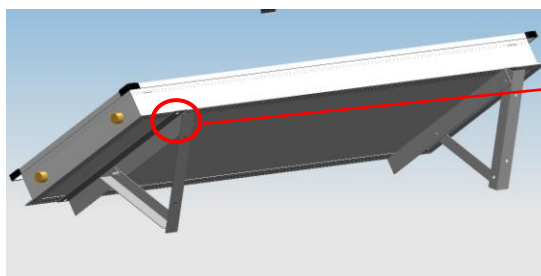
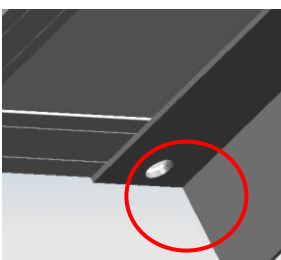
a. Assembling collector support

Use M8*16 screws and nuts to assemble Collector Support according to the picture below



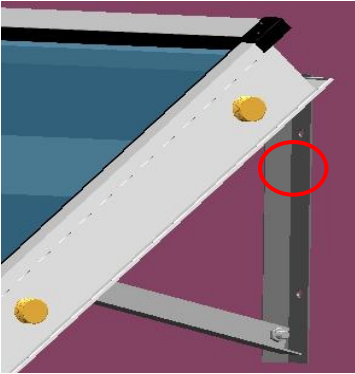
b. Assembling collector and its support

Match 2 holes in the longest bar of Support with 2 holes at the bottom of Collector, use screws and nuts to fix tightly.



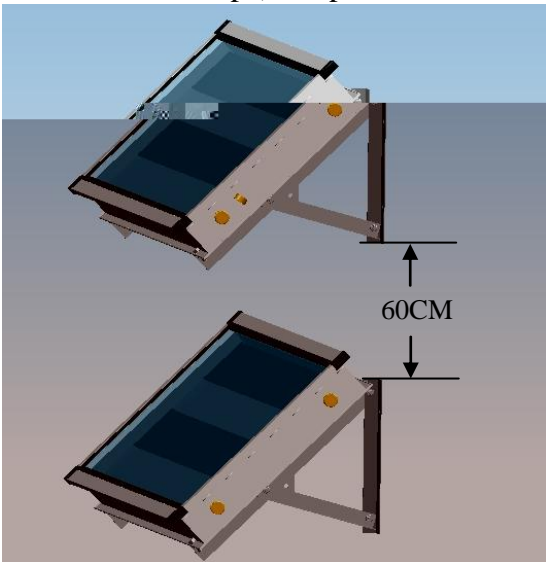


c. Setting collector and its support on the wall



After decided setting place, make 4 holes according to the positions of 4 holes on the wall-side of the Support, use M8 setscrews to fix Support in horizontal to the wall.

Note: For double collectors, please assemble the other collector same as Step 1 to Step 3. And keep the distance between two collectors to be 60cm at least (also need consider the length of PEX Black Pipe). As picture.



d. Explanation for mixed liquid of water and anti-freezer



Please mix anti-freezer and water according to the proportion in the form below.

Mix anti-freezer and water in proportion.

Infuse the mixed liquid into heating pipe as picture.

Before infuse the mixed liquid, should use un-transparent thing to cover collector. After infused, tighten Safety Valve, and then take off the cover.

During infusing, shake boiler and collector will be better, for expelling air inside the pipe.

The mixed liquid should be infused fully.

型号		TES 120X2.0m ²	TES 160x2.5m ²	TES 200x4m ²	TES 250x4m ²	TES 300x3m ²	TES 300x5m ²
混合液总容量		10lt	12lt	13lt	19lt	15lt	25lt
温度	比例						
-5℃	水 防冻液	8lt 2lt	10lt 2lt	10lt 3lt	16lt 3lt	11lt 4lt	5lt 20lt
-11℃	水 防冻液	7lt 3lt	9lt 3lt	9lt 4lt	15lt 4lt	10lt 5lt	19lt 6lt
-18℃	水 防冻液	6lt 4lt	8lt 4lt	8lt 5lt	14lt 5lt	9lt 6lt	18lt 7lt
-20℃	水 防冻液	6lt 4lt	8lt 4lt	8lt 5lt	14lt 5lt	9lt 6lt	18lt 7lt
-27℃	水 防冻液	5.5lt 4.5lt	7lt 5lt	7lt 6lt	13lt 6lt	8lt 7lt	17lt 8lt
-36℃	水 防冻液	5lt 5lt	6lt 6lt	6.5lt 6.5lt	9.5lt 9.5lt	7.5lt 7.5lt	12.5lt 12.5lt

Attention after installation:

- After finished installation, please do not use hot water in the coming 2 days to reach the best working status.
- Check anti-freezer periodically every year.
- If in the dust area, please clean the surface of collector in time.
- Once collector glass damage, please replace in time.
- At least once a year check the heater thoroughly, especially for the seaside area. If any problem, please inform installation workers in time. For the parts cost should be charged by the clients.
- If will not use for long time, use un-transparent thing to cover collector.